

SUBMITTAL COVER SHEET

JJM BOILER WORKS, INC. / CONDENSATE Ph TREATMENT PRODUCTS

PROJECT NAME:

LOCATION:

ARCHITECT:

ENGINEER:

CONTRACTOR:

SUBMITTED BY:

DATE:

MODEL SUMMARY

Quantity	Product			
Model	CBM-225			
Model #	5002			
Rating BTU	1 to 225,000 BTU's			
Rating GPH	1.70 GPH			
Inlet Port Size	¾"			
Outlet Port Size	¾"			
Clear Tube	Yes			
Opaque Tube	NO			
Translucent Tank	N/A			
Voltage	N/A			
Amps	N/A			
Watts	N/A			
Pump rating GPM	N/A			

pH Panel Model	Walchem	N/A		
Pump panel Model	SeeWater	N/A		
Tube Material	Polypropylene	YES		
Tank Material	Polyethylene	N/A		
Tube Temperature Rating	140F Con.	Yes		
Tank Temperature Rating	140F Con.	N/A		
Tank Frames	Powder coated	N/A		
Mounting	Horizontal	Yes		
Flue Drain Model		N/A		
Common Stack Model		N/A		

NOTES:

Recommended Piping: Sch40 PVC or CPVC with unions
Poly stranded with clamps

DATA SHEET

MODEL: CBM-225

Model	Part#	Rating MBH	GPH	Material	Active Ingredient	Temp. Rating
CBM-225	5002	225	1.70	Polypropylene	Mg(OH)2 Pellets	140F Const.

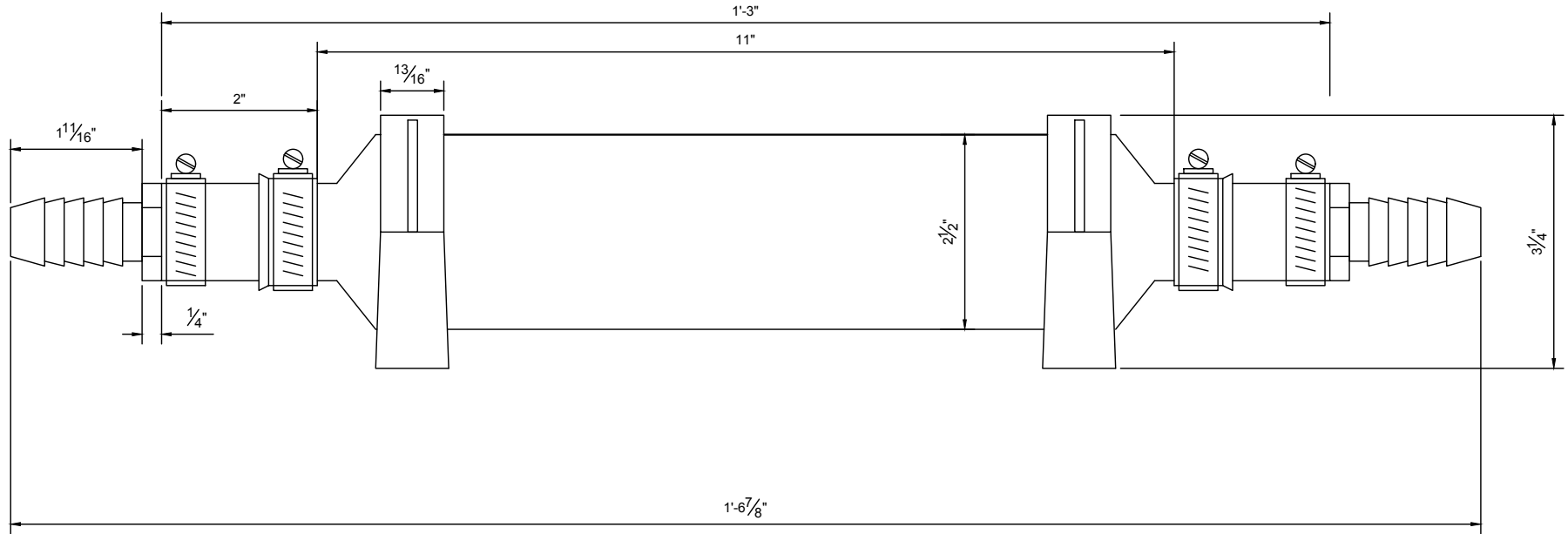
Inlet port	Outlet port	Mounting	Clear Tube	Field Rechargeable
.75"	7.5"	Horizontal Floor or Wall	Clear Cover	YES

Fittings	Fittings	Brackets	Clamps	Refill part #
(2) Poly Couplings Direct Sch40 PVC Pipe	(2) PVC Barb Fittings	(2) Plastic Snap Brackets	(4) SS worm gear clamps	6002

Note: Two options for piping:

1. Direct Sch40 PVC into Poly Couplings.
2. Barb fittings which also can slide into poly couplings.

CBM-225 dimensions



REV:	DESCRIPTION:	BY:	DATE:
AMENDMENTS:			

SITE: JJM BOILER WORKS INC.	CBM-225 dimensions <small>DRAWING NO.</small>	--- <small>PROJECT NO.</small>	07/23/16 <small>DATE.</small>	
TITLE: CBM-225 Dimensions	NA <small>SCALE AT A4.</small>	SG <small>DRAWN.</small>	<small>CHECKED.</small>	
		<small>REVISION.</small>		